

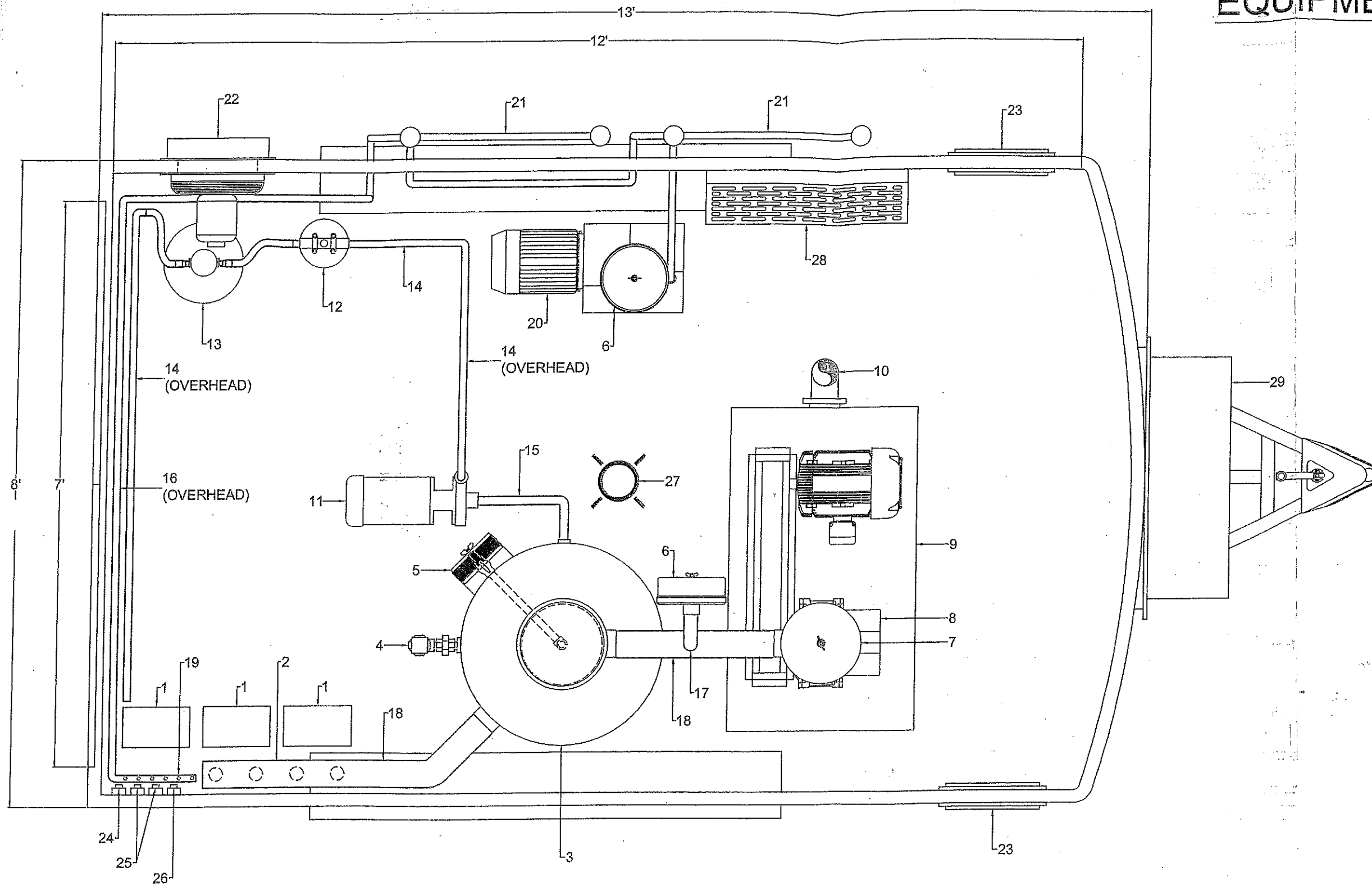
This drawing and all parts thereof is the exclusive property of Seneca Environmental Services and may not be reproduced in whole or part without written permission.

REVISION	BY

**SENECA**  
 REMEDIATION SERVICES  
 DES MOINES, IA 50313 (800) 369-3500

<b>CORANCO - PASMUS OIL</b> WEST POINT, NEBRASKA	<b>PROCESS AND INSTRUMENTATION DIAGRAM</b>
DATE: 7/6/05 DRAWN BY: DARRICK WORRALL CHECKED BY: DAN WILLERS SCALE: NO SCALE FILENAME: 6292805S03 PROJECT NO: 6292805 SHEET NO: 3 OF 13	

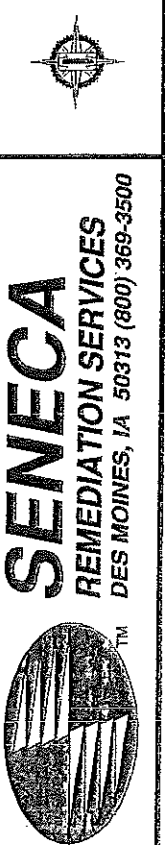
# EQUIPMENT LAYOUT



**NOTES:**

1. PIPE SUPPORTS TO BE INSTALLED AS REQUIRED.
2. REFER TO PROCESS AND INSTRUMENTATION DIAGRAM FOR PIPING DETAIL (VALVES, SAMPLE PORTS, ETC.) AND SEQUENCE OF OPERATION.
3. BUILDING INTERIOR IS CONSTRUCTED AS AN NEC CLASS 1, DIVISION 2, GROUP D HAZARDOUS LOCATION.

This drawing and all parts thereof is the exclusive property of Seneca Environmental Services and may not be reproduced in whole or part without written permission.



CORANCO - RASMUS OIL  
WEST POINT, NEBRASKA

DATE	7/6/06
DRAWN BY	DARRICK WORRALL
CHECKED BY	DAN WILLERS
SCALE	3/4"=1'
FILENAME	6292805S04
PROJECT NO.	6292805
SHEET NO.	4 OF 13

EQUIPMENT LAYOUT